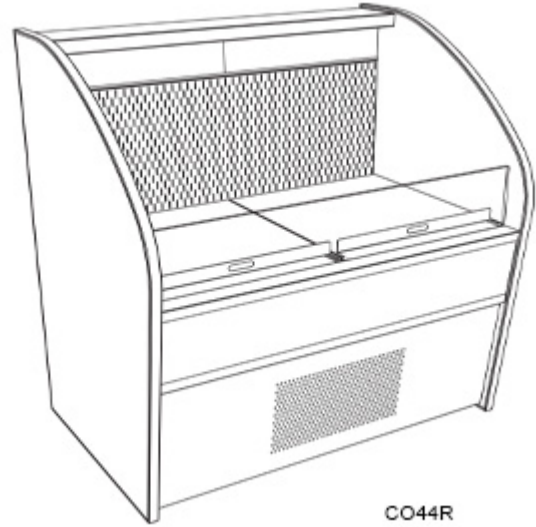


- **CO34R** 36-1/4"L x 33"D x 46-7/8"H
- **CO44R** 47-1/4"L x 33"D x 46-7/8"H

### Included

- Breeze w/EnergyWise s/c refrigeration
- 4"D removable rear wall spacer (not included in depth dimension)
- 6' Straight blade power cord (base exit)
- Blue Fin coated coil
- Compressor air front intake, rear discharge. Front panel cannot be blocked. Must remain 4" from wall
- Condensate pan (self-contained refrig. only)
- Exterior solid back panel, black
- Full end panel w/mirror interior (vinyl edge matches interior color)
- Integrated average product temperature of 40°F or less
- LED 3500K top light(s)
- One piece formed ABS plastic tub
- One year parts & labor; 5 year compressor warranty



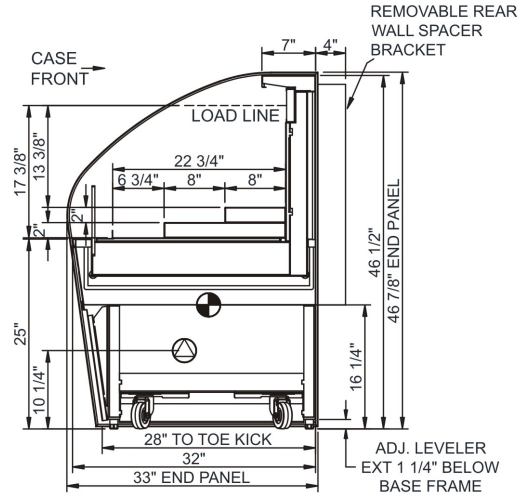
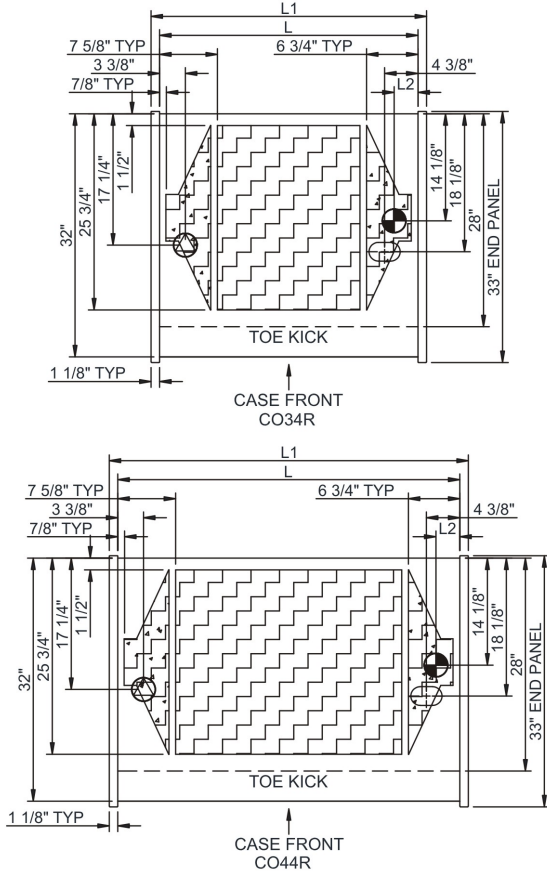
Specify	Standard Features	Additional Options
<b>EXTERIOR COLOR</b>	• Laminated (non-premium) Confirm pattern/grain direction	• Laminated (premium) Confirm pattern/grain direction • Stainless steel (includes lower front panel)
<b>INTERIOR COLOR</b>	• Black	• Stainless steel
<b>LWR PERFORATED FRNT PANEL</b>	• Painted - Black	• Stainless steel (w/stainless ext. only)
<b>BASE</b>	• Casters (n/a with remote)	• Levelers • Seismic levelers
<b>SHELVING</b>	• None	• Metal shelf, non-lighted
<b>ELECTRICAL CONNECT</b>	• 6' Straight blade power cord (self-cont.)	• 6' Locking power cord (self-cont.) • Electrical leads (remote)
<b>REFRIGERATION</b>	• Breeze w/EnergyWise s/c refrigeration	• Note: Remote doesn't incl Conds unit. Floor drain reqd. • Remote w/thermostat, solenoid & TXV
<b>MISCELLANEOUS</b>		• Second year parts & labor warranty (excludes compressor)
<b>ACCESSORIES</b>		• 2"H Display risers for lower area (n/a w/shelf) • Clean Sweep® coil cleaner (n/a w/remote) • Night curtain, retractable, non-locking • Removable solid security cover, locking

**Intended Environment:** Type I - Designed to operate in ambient conditions of 75°F with 55% relative humidity unless noted otherwise in system information below.

Zone	Intended Product To Be Displayed	Warmest Avg Prod Temp ° F
1		

**PLAN VIEW**

**SIDE VIEW**



**NOTE: ALL DIMENSIONS APPROXIMATE**

- ELECTRICAL JUNCTION BOX (SUPPLIED WITH 6" LEADS OR POWER CORD).
- REMOTE FLOOR SINK & UTILITIES ACCESS AREA.
- LOCATION OF DRAIN TUBE FOR REMOTE REF. ONLY (SUPPLIED WITH 3/4" OR 1 1/2" PVC TUBE).
- SELF-CONTAINED CASE SERVICE ACCESS AREA.
- REFRIGERATION LINE CONNECTION.
- DRY CASE SERVICE ACCESS AREA.

**Model Technical Specifications**

Model	L"	L1"	L2"	System Circuit Volts		Phs	Freq	Amps ***	Watts	Wires	NEMA Plug	SST	Conv. Rack BTUH	Para. Rack BTUH	Est Wt	
				Remote (Type I)	Self-Contained (R513A)											
CO34R	34.00	36.25	3.13	Remote (Type I)	Circuit #1	110-120	1	60	0.74	48	2+G	Leads Multiple	20.00	1927	1784	600
				Self-Contained (R513A)	Circuit #1	110-120	1	60	5.80	311	N/A	5-15P or L5-15P	N/A	N/A	N/A	
CO44R	45.00	47.25	3.13	Remote (Type I)	Circuit #1	110-120	1	60	0.86	56	2+G	Leads Multiple	20.00	2484	2300	650
				Self-Contained (R513A)	Circuit #1	110-120	1	60	5.80	311	2+G	5-20P or L5-20P	N/A	N/A	N/A	

\*\*\* Does not include electric defrost on freezer models.

**Regulatory Approvals:**

All Models  
 Accordance with AHRI Std 1200  
 ETL Listed to UL 471  
 ETL Listed to CAN/CSA 22.2 No. 120  
 ETL Sanitation to NSF/ANSI 7



**Important Notes:**

- ELECTRICAL NOTE: If GFCI is required, a GFCI breaker MUST be used in lieu of a GFCI receptacle
- ⚠ WARNING:** This product can expose you to chemicals, including Urethane (Ethyl Carbamate), which are known to the State of California to cause cancer and birth defects or other reproductive harm. For more information go to [www.P65Warnings.ca.gov](http://www.P65Warnings.ca.gov).